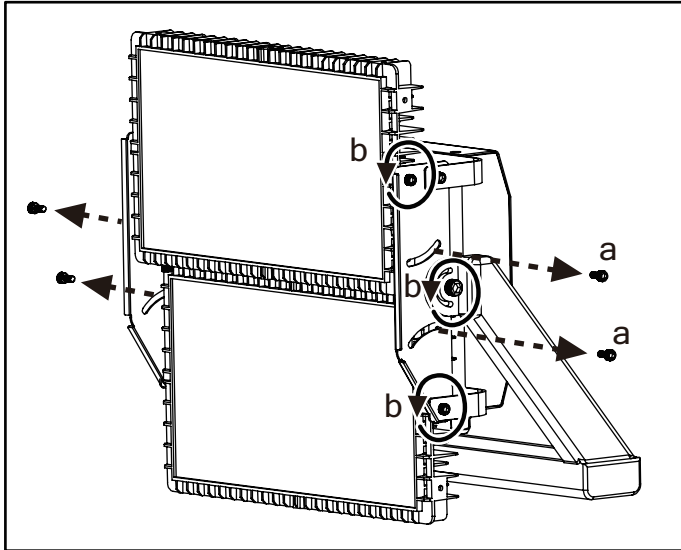
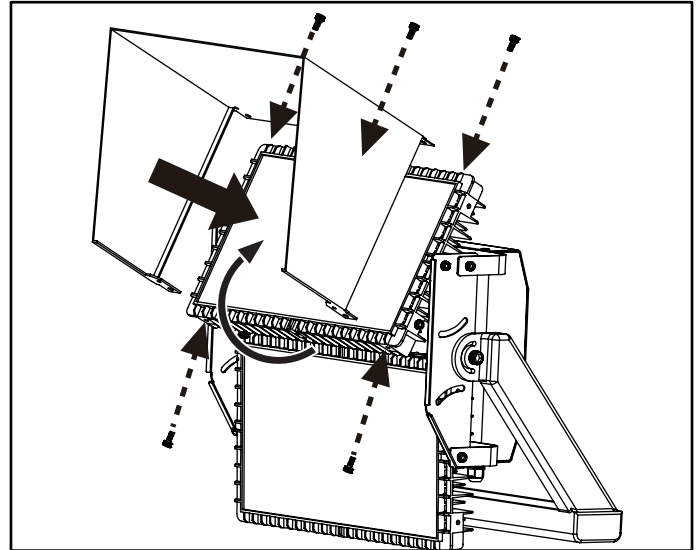


ADVANCED HIGH CEILING Bolt Series with Visor



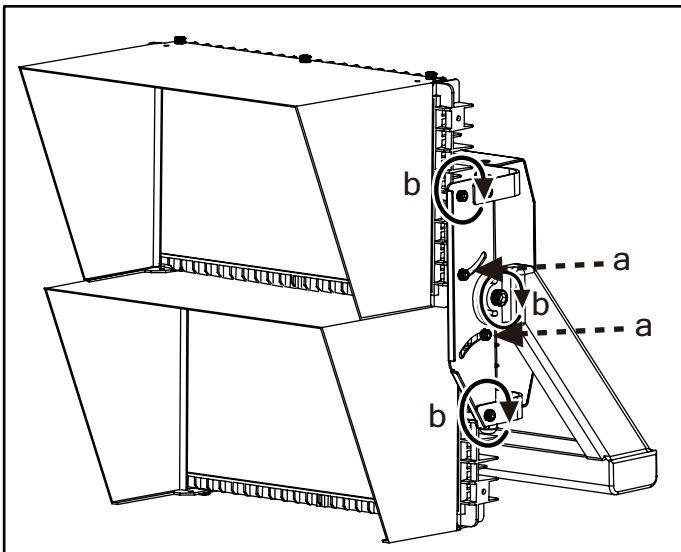
Step 1

Loosen screws (b) fastening mounting bracket to fixture frame and remove screws (a) securing module angle.



Step 2

Adjust module 1 to about 45 degree angle and secure visor to module. Fasten 2 screws on open side of visor and fasten 3 screws on the back side. Repeat the same for module 2.



Step 3

Adjust fixture and each modules to desired angle and fasten screws (a + b) to secure.